

GENERAL SPECIFICATIONS:

PRIMARY^[6]

3-phase, 3-wire, 60Hz

SECONDARY^[6]

3-phase, 3-wire, 60Hz

OPERATING TEMPERATURE RISE^[5]

130°C [115°C] [80°C]

INSULATION CLASS^[5]

220°C

ANGULAR DISPLACEMENT^[1]

Select 0°, +20°, 20° or 30° lag

PRIMARY TAPS

Up to 34kVA: 1 x ± 5%
40kVA and larger: 2 x ± 2.5%

K-FACTOR RATING

9

EFFICIENCY

> 97.5% @ 50% load

MAGNETISING INRUSH

< 10 times FL RMS

WINDING MATERIAL

Copper

INSULATING VARNISH IMPREGNATION

Polyester Resin

AUDIBLE SOUND LEVEL

As per NEMA ST-20

Up to 51kVA: 45dB
63 - 145kVA: 50dB
175 - 330kVA: 55dB
440 - 660kVA: 60dB

ENCLOSURE

Type: NEMA-3R, ventilated
Paint: Polyester powder coated
Colour: ANSI 61 Grey

OPTIONS:

ELECTROSTATIC SHIELD

[Single], [double]

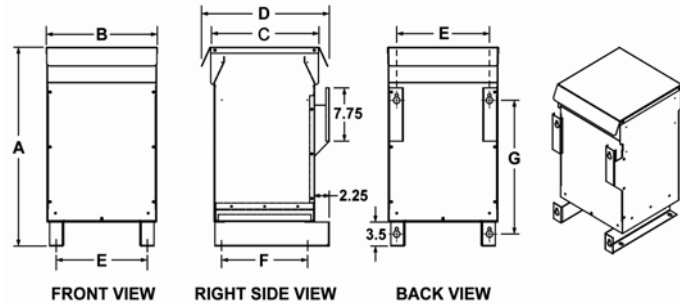
OVER-TEMPERATURE SENSORS

[170°C], [200°C]

SOLID BOTTOM PLATE (Case 'MT' only)

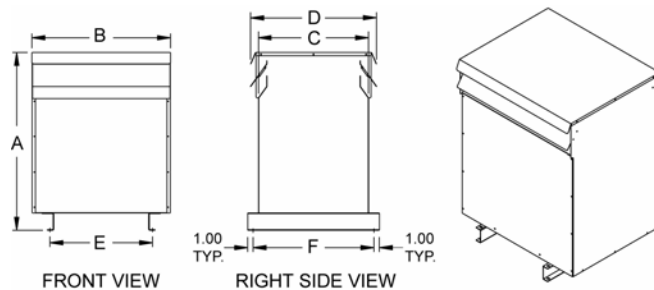
[yes], [no]

'MT1', 'MT2' ENCLOSURE DIM. - inches [mm]



CASE	A	B	C	D	E	F	G
MT1	29.00 [737]	16.75 [425]	15.00 [381]	19.00 [483]	13.75 [349]	13.00 [330]	19.50 [495]
MT2	38.00 [965]	21.50 [546]	19.50 [495]	23.50 [597]	17.00 [432]	17.50 [445]	25.00 [635]

'MT3', 'MT4', 'LT' ENCLOSURE DIM. - inches [mm]



CASE	A	B	C	D	E	F
MT3	45.00 [1143]	26.00 [661]	21.00 [534]	25.00 [635]	21.50 [546]	19.00 [483]
MT4	51.50 [1308]	32.00 [813]	25.50 [648]	29.50 [749]	23.50 [597]	23.50 [597]
LT1	59.00 [1499]	39.50 [1003]	30.00 [762]	34.00 [864]	24.00 [610]	32.00 [813]
LT2	59.00 [1499]	48.50 [1232]	34.00 [864]	38.00 [965]	27.50 [699]	36.00 [915]

Product Code:

DT - dd - hhh - xxx - kVA - X

Angular Displacement: 00, 30 or 20, +20
Secondary L-L Voltage: 480, 600
Electrostatic Shield: X = (no shield), S = (single shield), SS = (double shield)
Primary kVA: 7.5, 11, 14, 20, 27, 34, 40, 51, 63, 75, 93, 118, 145, 175, 220, 275, 330, 440, 550, 660
Primary L-L Voltage: 480, 600
Drive Tamer (isolation transformer)

KVA ^[6] Primary	Sizes		Iron	Copper (@ full load)	3 Phase Short Circuit	Primary		Secondary	
	Case Style	Weight lb [kg] ^[2]				480V	600V	480V	600V
7.5	MT1	170 [77]	110W	210W	2.8-3.5%	#6-#14	#6-#14	#6-#14	#6-#14
11	MT1	230 [105]	130W	330W	2.8-3.5%	#6-#14	#6-#14	#6-#14	#6-#14
14	MT1	275 [125]	160W	380W	2.8-3.5%	#6-#14	#6-#14	#6-#14	#6-#14
20	MT2	325 [148]	190W	430W	2.8-3.5%	#6-#14	#6-#14	#6-#14	#6-#14
27	MT2	375 [170]	210W	510W	2.8-3.5%	#6-#14	#6-#14	#6-#14	#6-#14
34	MT2	440 [200]	230W	600W	2.8-3.5%	#6-#14	#6-#14	#6-#14	#6-#14
40	MT2	550 [250]	255W	680W	2.8-3.5%	#6-#14	#6-#14	#6-#14	#6-#14
51	MT3	660 [300]	280W	800W	2.8-3.5%	#2-#14	#6-#14	#2-#14	#6-#14
63	MT3	760 [345]	330W	1100W	2.8-3.5%	#2-#14	#2-#14	#2-#14	#2-#14
75	MT3	836 [380]	370W	1300W	2.8-3.5%	#2-#14	#2-#14	#2-#14	#2-#14
93	MT4	950 [432]	450W	1500W	3.2-4.5%	2/0-#6	#2-#14	2/0-#6	#2-#14
118	MT4	1078 [490]	590W	2000W	3.2-4.5%	2/0-#6	2/0-#6	2/0-#6	2/0-#6
145	MT4	1230 [559]	670W	3100W	3.2-4.5%	250MCM-#6	2/0-#6	250MCM-#6	2/0-#6
175	LT1	1460 [664]	755W	3950W	3.2-4.5%	250MCM-#6	250MCM-#6	250MCM-#6	250MCM-#6
220	LT1	1642 [746]	800W	4400W	3.2-4.5%	350MCM-#6	250MCM-#6	350MCM-#6	250MCM-#6
275	LT1	1920 [873]	1050W	4700W	3.2-4.5%	600MCM-#4	350MCM-#6	600MCM-#4	350MCM-#6
330	LT1	2104 [956]	1250W	5400W	3.2-4.5%	Copper Pad	600MCM-#4	Copper Pad	600MCM-#4
440	LT2	2819 [1280]	1390W	6700W	4.2-5.0%	Copper Pad	Copper Pad	Copper Pad	Copper Pad
550	LT2	3084 [1400]	1470W	8200W	4.2-5.0%	Copper Pad	Copper Pad	Copper Pad	Copper Pad
660	LT2	3700 [1680]	1660W	9700W	4.2-5.0%	Copper Pad	Copper Pad	Copper Pad	Copper Pad

1. Secondary winding group X lags primary group H by the angular displacement.

2. Estimated Values.

3. For additional information refer to: Typical Specifications, Technical Guide, Internal Layout and Connection Diagrams.

4. Specifications are subject to change without notice.

5. Transformers up to 34kVA have 200° C insulation class.

6. For other sizes or voltages consult factory.

